

**Bio Safe**

SOLUTIONS TO PROMOTE  
BIOSAFETY IN TRANSPORT



Bio Safe



## SANITARY UV-C KIT



Sanitary system with auto disinfection by ultraviolet light.

### KIT CODES:

11697894	LUMINARY ASSEMBLY
11697445	OCCUPIED TOILET OPTIC SIGNAL
10374064	MAGNET FOR MAGNETIC SENSOR
10317237	PRESENCE SENSOR
10373998	PRESENCE SENSOR
11691650	SENSOR SUPPORT
11691469	UVC SYSTEM HARNESS
99012137	DIN SCREW 7982 AA CH PHS 4,2X19 WHITE ZI
99010303	CROSS-RECESSED HEAD SCREWS



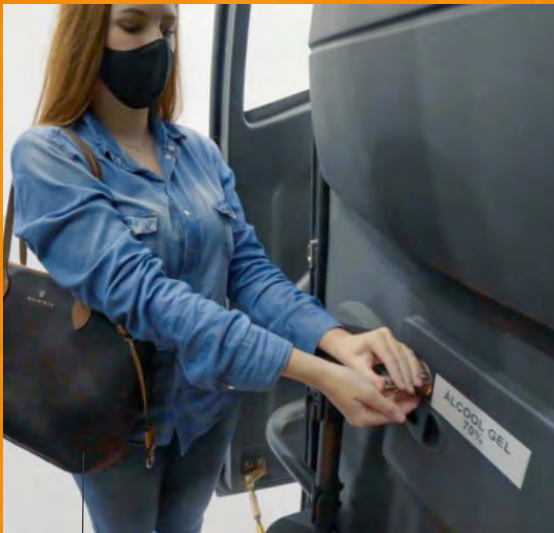
Values available for query in SAP.

\*Valid for models with rear engine, except DD.

Bio Safe



## GEL ALCOHOL TAP



Deployment of gel alcohol support at the bus entrance.

### KIT CODES:

11687368	FAUCET
11462214	HAND SANITIZER RESERVOIR
98130736	RUBBER HOSE
11687322	SOAP - PUSH THE BUTTON ADHESIVE
10344150	SCREW

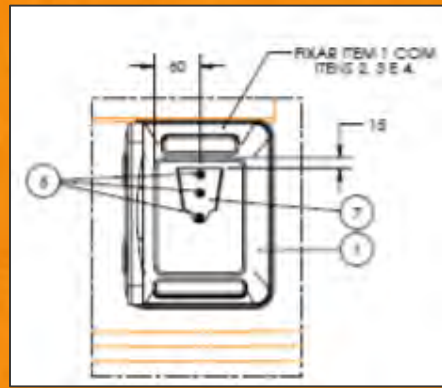
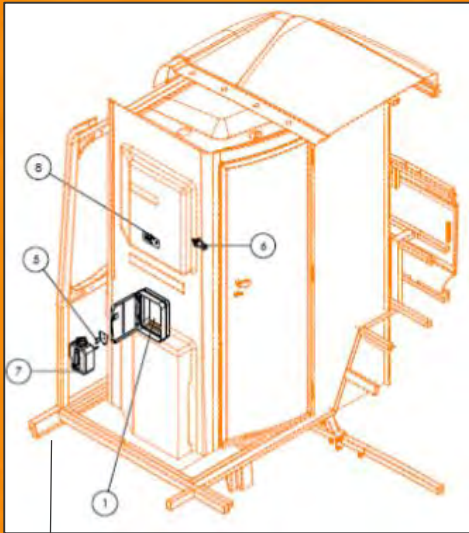
ESTIMATED  
INSTALLATION  
TIME  
**30 min**

Values available for query in SAP.

\*Valid for models that already have a cabinet at the top of the stairs.



## ALCOHOL KIT IN GEL – WC



Deployment of gel alcohol support in the toilet.

### KIT CODES:

10231716	HAND SANITIZER BOX ASSEMBLY
10316140	POP NUT
10769899	SCREW
BZ182	PLAIN WASHER
10344150	SCREW
11687368	FAUCET
11462214	HAND SANITIZER RESERVOIR
11687322	PUSH THE BUTTON ADHESIVE
98130736	RUBBER HOSE
10058064	CLAMP

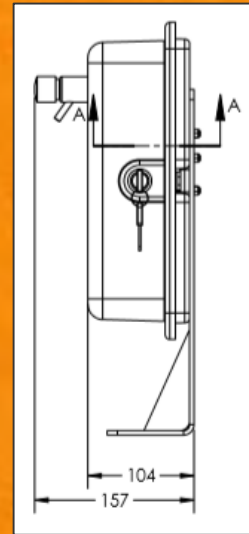
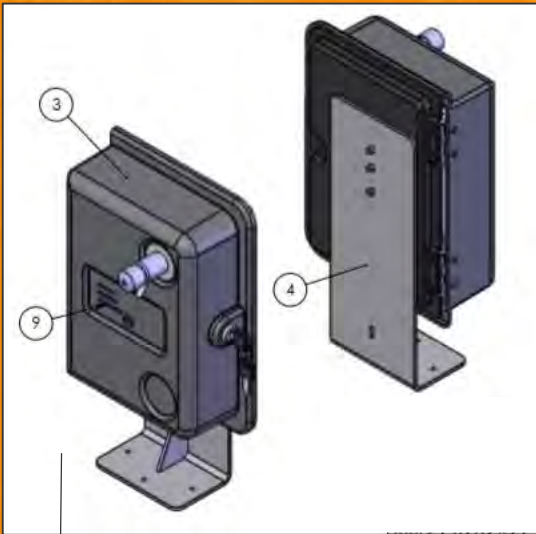


Values available for query in SAP.

\*Valid for the toilet located at the rear of the bus.



## ALCOHOL KIT IN GEL – WC



Deployment of gel alcohol support in the toilet.

### KIT CODES:

11462214	HAND SANITIZER RESERVOIR
11687368	FAUCET
11696033	HAND SANITIZER BOX ASSEMBLY
11695936	ATTACHMENT SUPPORT KIT
99013054	DIN SCREW 7985 MAC MET PAN PHS M 5X20 BL
99020095	UNC HEX NUT 1/4 WHITE ZINCED
98130736	RUBBER HOSE
99060064	CLAMP
11687322	PUSH THE BUTTON ADHESIVE



Values available for query in SAP.

Bio Safe



## ANTI MICROBIAL CURTAIN



Installation of curtains between seats on buses for the separation of passengers.

### KIT CODES:

11690767	CURTAINS
98012177	PLASTIC STEEL CABLES 1/16 WIRE
26185443	TERMINAL PRENSA CABO 5X7,5X20 MM
27310580	RING DRAINAGE WINDBAG
10317319	CURTAIN PISTON
99012132	FLAT HEAD SCREWS



Values available for query in SAP.

\*Valid for the Paradiso and Viaggio models, between the seats.

Bio Safe



## COVER ARMCHAIR



Armchair protection in antimicrobial hospital fabric.

KIT CODE:

11691789	SEAT REVETMENT
----------	----------------

ESTIMATED  
INSTALLATION  
TIME  
**3 hours**

Values available for query in SAP.



## PROTECTION KIT DRIVER



Protective wall for the driver.

### KIT CODES:

PD 1200	
11690438	DRIVER POST PROTECTION
11690757	PARTITION WALL SUPPORT
11690688	PARTITION WALL SUPPORT

CITY BUSES AND I DEALE 800	
11684765	ROOF STRUCTURE ASSEMBLY
11684756	HANDHOLD
11684853	HANDHOLD
11684890	HANDHOLD
11684626	TURNSTILE PROTECTOR ASSEMBLY



Values available for query in SAP.



Bio Safe



## PROTECTION KIT TICKET COLLECTOR



Protection wall for the ticket collector.

KIT CODE:

11684626

TURNSTILE PROTECTOR ASSEMBLY

ESTIMATED  
INSTALLATION  
TIME

1 hour

Values available for query in SAP.

Bio Safe



## FIP ONBOARD



Bus disinfection system.

KIT CODE:

11630541

DISINFECTANT PRODUCT

ESTIMATED  
INSTALLATION  
TIME  
**20 min**

Values available for query in SAP.



## SOLUTIONS TO PROMOTE BIOSAFETY IN TRANSPORT

For more information, consult  
the negotiator responsible  
for your region.

